



# Freightliner / Daimler Corporation

M2 Mirror Systems Service Manual





If you have any questions, contact technical support at:

Tel: 1-888-MEKRA 4U / Fax: (803) 337 5265

E mail: [quality@lang-mekra.com](mailto:quality@lang-mekra.com)

[www.lang-mekra.com](http://www.lang-mekra.com)

These Products May Be The Subject of Pending U.S. Patent Applications 1 or May Be Covered By One or More U.S. Patents.

# Freightliner M2 Mirror System Manual

## General Procedures

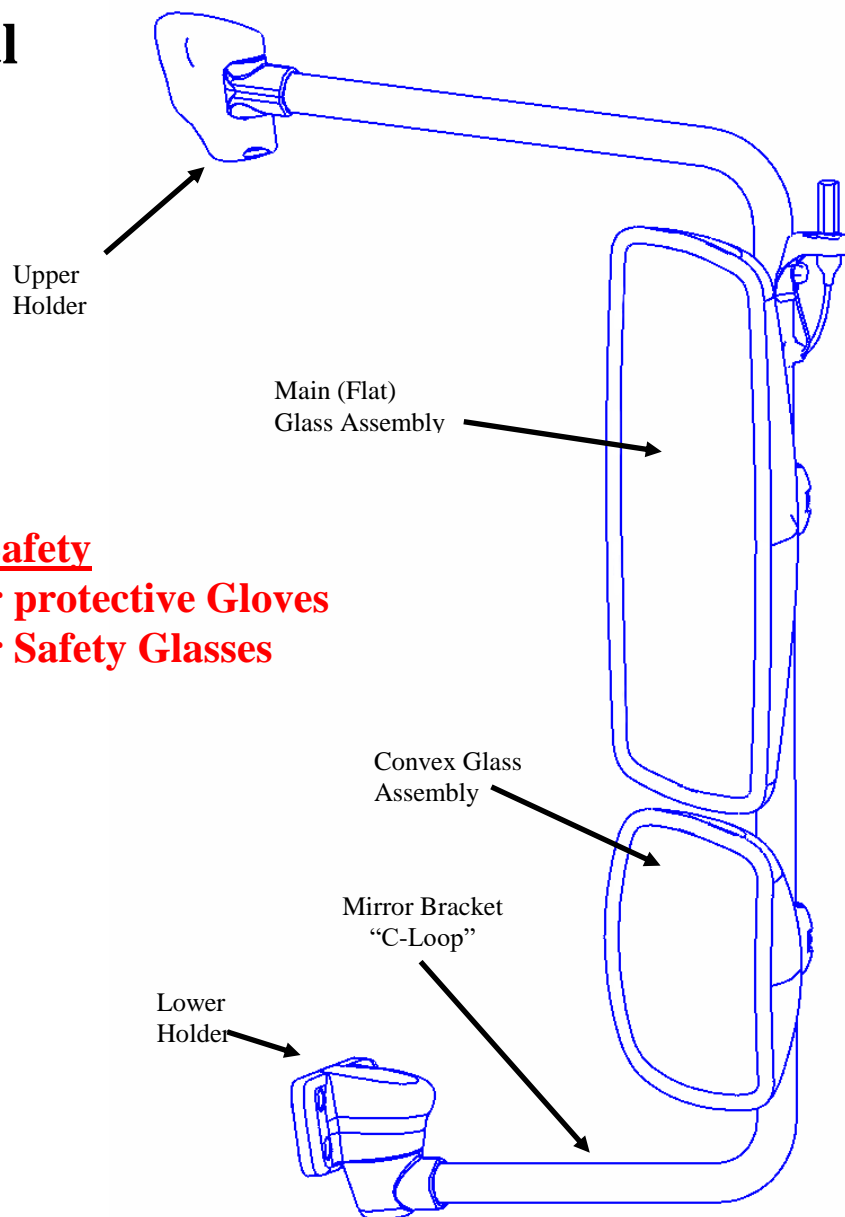
G.1	Removal of Entire Bracket and Mirror	(p.2)
G.2	Changing Upper Fastener Kit	(p.3)
G.3	Cleaning Mirror Glass	(p.4)
G.4	Removing, Attaching, or Adjusting Mirror Head	(p.5)
G.5.1	Mirror Plate Exchange - Removing Mirror Plate	(p.6)
G.5.2	Mirror Plate Exchange -Installing Mirror Plate	(p.7)
G.5.3	Glass Carrier Plate with AAT Instructions	(p.8)

## Troubleshooting & Repair

T.1.1	Bracket Does Not Fold Back	(p.9)
T.1.2	Bracket Folds Back Too Easily	(p.9)
T.1.3	Installing Flip-out Arm	(p.10)
T.2.1	Mirror Movement Analysis Flowchart	(p.11)
T.2.2	Mirror Movement Analysis	(p.12)
T.2.3	Motor (Actuator) Replacement	(p.13)
T.3.1	Wiring & Connections	(p.14)
T.3.2	Control Cable Replacement	(p.15)
T.3.3	CB Cable Replacement	(p.15)
T.4.1	Mirror Heat Analysis Flowchart	(p.16)
T.4.2	Mirror Heat Analysis	(p.17)
T.5	Surface Finishes	(p.17)

## Warranty

W.1	Warranty Coverage	(p.18)
W.2	Available Service Parts	(p.19)
W.3	Illustrations	(p.21)



**For Safety**  
**Wear protective Gloves**  
**Wear Safety Glasses**



If you have any questions, contact technical support at:

Tel: 1-888-MEKRA 4U / Fax: (803) 337 5265

E mail: [quality@lang-mekra.com](mailto:quality@lang-mekra.com)

[www.lang-mekra.com](http://www.lang-mekra.com)

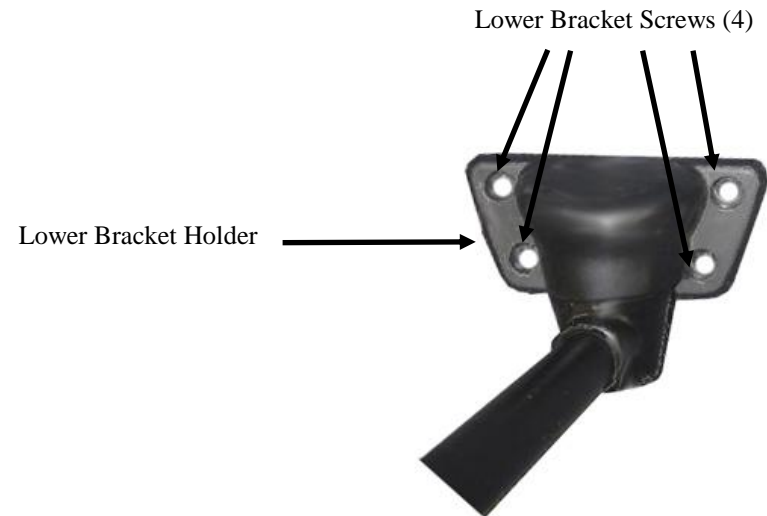
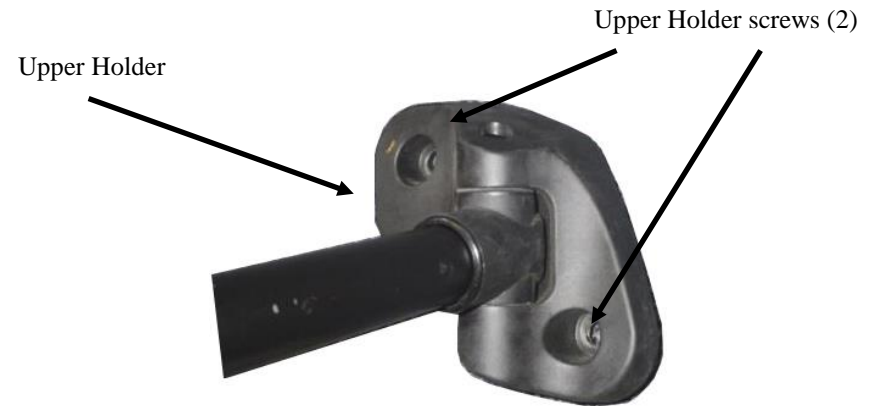
These Products May Be The Subject of Pending U.S. Patent Applications 2  
or May Be Covered By One or More U.S. Patents.

## (G.1) Removal of Entire Bracket and Mirror

- 1) Remove antenna from top of mirror.
- 2) Ensure that the mirror has support and remove the four screws from the lower bracket holder. DO NOT allow mirror system to fall away from truck.
- 3) Remove two screws from upper bracket holder. Entire bracket is now free from truck.
- 4) Disconnect antenna and remote/heating wire harness (if installed) from plugs in door.

### To re-install bracket:

1. Plug antenna and control cables back in to the door.
2. Use the two screws to attach upper holder to truck.
3. Reattach lower bracket with four screws.





If you have any questions, contact technical support at:

Tel: 1-888-MEKRA 4U / Fax: (803) 337 5265

E mail: [quality@lang-mekra.com](mailto:quality@lang-mekra.com)

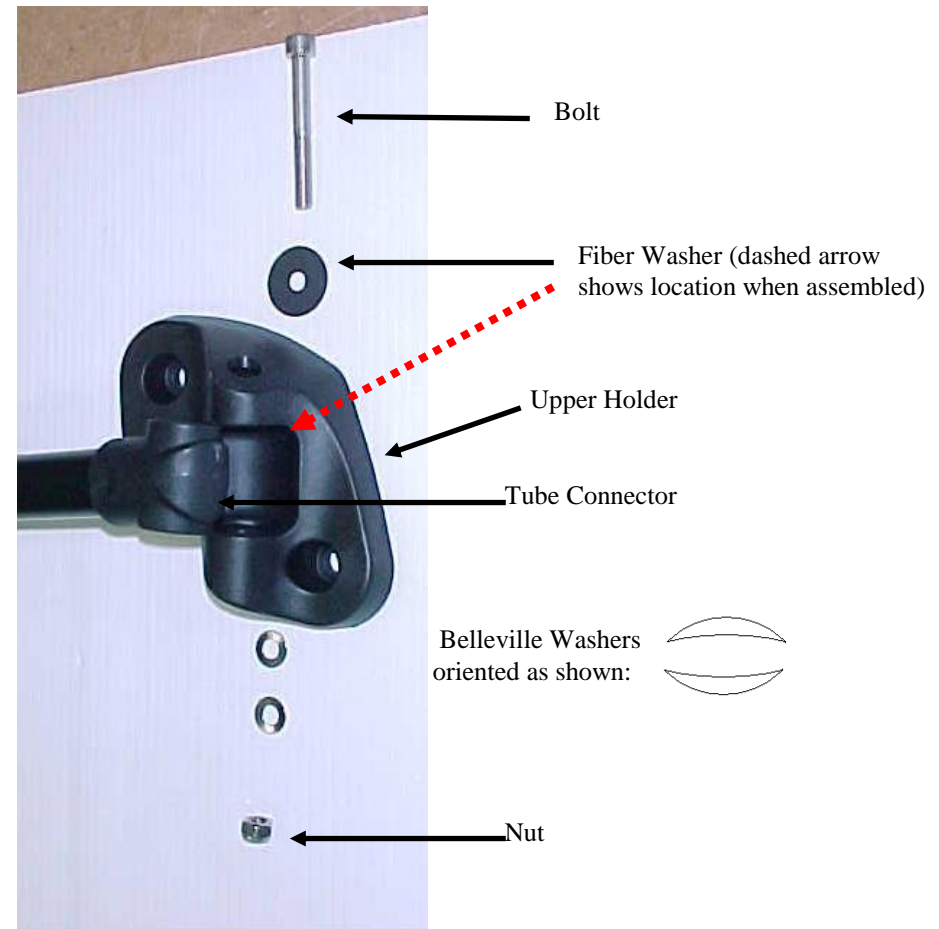
[www.lang-mekra.com](http://www.lang-mekra.com)

These Products May Be The Subject of Pending U.S. Patent Applications 3 or May Be Covered By One or More U.S. Patents.

## (G.2) Changing Upper Fastener Kit

It is very important that you firmly hold the mirror and bracket system in place throughout this process. The fasteners keep the mirror from falling off the vehicle. Damage may occur to the door and mirror if the mirror is not supported.

- 1) Remove entire fastener kit. Hold mirror in place to prevent it from falling.
- 2) Once upper holder is attached to truck, put tube connector and fiber washer in place and insert bolt. Once the bolt is in place, the mirror should not fall away from the truck.
- 3) Line the Belleville washers up as shown and slide them onto the bottom of the screw. Attach the nut and tighten to 14-16 N-m.





If you have any questions, contact technical support at:

Tel: 1-888-MEKRA 4U / Fax: (803) 337 5265

E mail: [quality@lang-mekra.com](mailto:quality@lang-mekra.com)

[www.lang-mekra.com](http://www.lang-mekra.com)

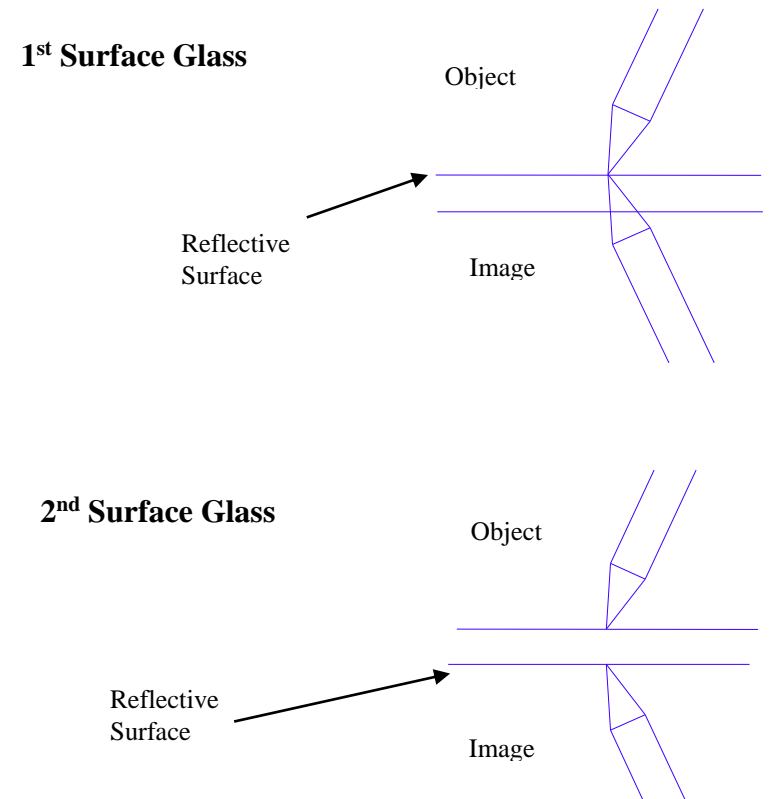
These Products May Be The Subject of Pending U.S. Patent Applications or May Be Covered By One or More U.S. Patents.

## (G.3) Cleaning the Mirror Glass

A standard glass cleaner and a soft, clean cloth should be used to clean the mirror surface. Avoid abrasive cleaners or brushes, as they can scratch the glass and damage the mirror plate.

Newer trucks have 1<sup>st</sup> surface glass, which has an exposed reflective surface and is not subject to corrosion.

To determine the kind of glass, place an object such as a pen on the glass surface. Angle the pen to one side, so you can see the tip. If there is a gap between the tip of the object and the tip of the image, the glass is 2<sup>nd</sup> surface.





If you have any questions, contact technical support at:

Tel: 1-888-MEKRA 4U / Fax: (803) 337 5265

E mail: [quality@lang-mekra.com](mailto:quality@lang-mekra.com)

[www.lang-mekra.com](http://www.lang-mekra.com)

These Products May Be The Subject of Pending U.S. Patent Applications 5 or May Be Covered By One or More U.S. Patents.

## (G.4) Removing, Attaching, or Adjusting the Mirror Heads (From the Bracket)

### To Adjust Mirror Head

- 1) Slightly loosen the two clamp bolts using a T-30 driver. To prevent the mirror from sliding down, hold it in place from the bottom.
- 2) Adjust mirror head to desired position. Tighten clamp screws to 9-11 N-m.

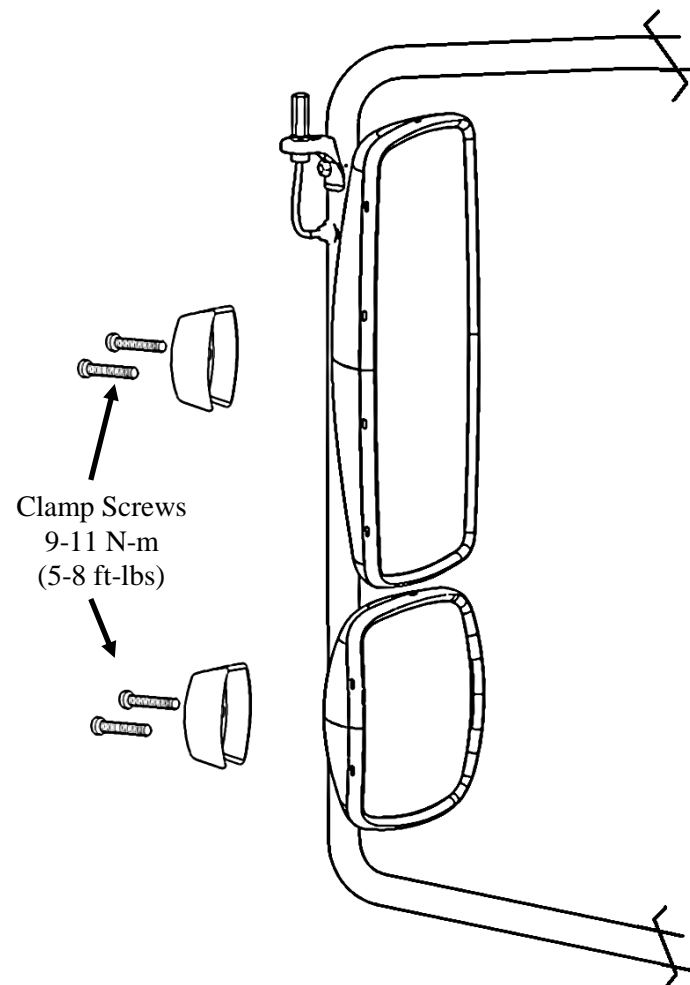
***MAKE SURE THE OPTIMUM VIEWING ANGLE  
IS ASSURED FOR THE DRIVER OF THE VEHICLE  
AT ALL TIMES!***

### To Remove Mirror Head

- 1) If the mirror is heated and/or remote, remove the mirror plate (see G.5.1) and disconnect the control cables before removing the head.
- 2) Remove the two clamp bolts using a T-30 driver. To prevent the mirror from sliding down, hold it in place from the bottom.
- 3) Gently remove the mirror head from the bracket, making sure not to damage the wires or connectors.

### To Attach Mirror Head

- 1) Place mirror head on bracket. Make sure that the wires coming from the bracket go into the mirror head. Tighten the two clamp bolts to 9-11 N-m (5-8 Ft-lbs) using a T-30 driver. Ensure the proper position is set for the driver.
- 2) Attach motor and heater cables (if applicable) and replace the glass according to G.5.2.



hje





If you have any questions, contact technical support at:

Tel: 1-888-MEKRA 4U / Fax: (803) 337 5265

E mail: [quality@lang-mekra.com](mailto:quality@lang-mekra.com)

[www.lang-mekra.com](http://www.lang-mekra.com)

These Products May Be The Subject of Pending U.S. Patent Applications or May Be Covered By One or More U.S. Patents.

## (G.5.1) Removing Mirror Glass – Carrier Plate Style

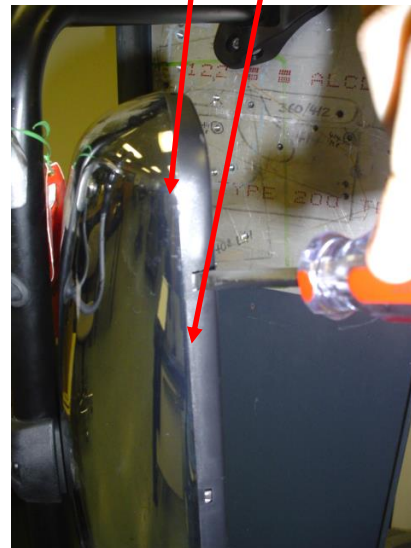
If you have glass-and-bezel style mirror heads, use the procedure on G.5.3.

Your Lang-Mekra mirror system is equipped with a durable mirror plate. The mirror glass is reinforced with anti-shattering adhesive to minimize splintering in the event of breakage. We strongly recommend the prompt replacement of damaged mirror plates.

For a heated mirror, be careful not to damage the wiring or the heater connections when changing the mirror plate, especially when detaching heater wires from the mirror plate.

### To Remove the Mirror Plate

- 1) Use a small flat-head screwdriver to push in the locking tabs through the access slits along the mirror housing. **DO NOT use the screwdriver to pry the mirror plate!**
- 2) Start by pushing in the tab at the top of the mirror, then continue around the mirror while pulling firmly on the mirror plate.
- 3) Pull the mirror plate away from the housing. If the mirror is heated, detach the heater wires from the back of the plate. Do not cut the wires.





If you have any questions, contact technical support at:

Tel: 1-888-MEKRA 4U / Fax: (803) 337 5265

E mail: [quality@lang-mekra.com](mailto:quality@lang-mekra.com)

[www.lang-mekra.com](http://www.lang-mekra.com)

These Products May Be The Subject of Pending U.S. Patent Applications 7 or May Be Covered By One or More U.S. Patents.

## (G.5.2) Installing Mirror Glass – Carrier Plate Style

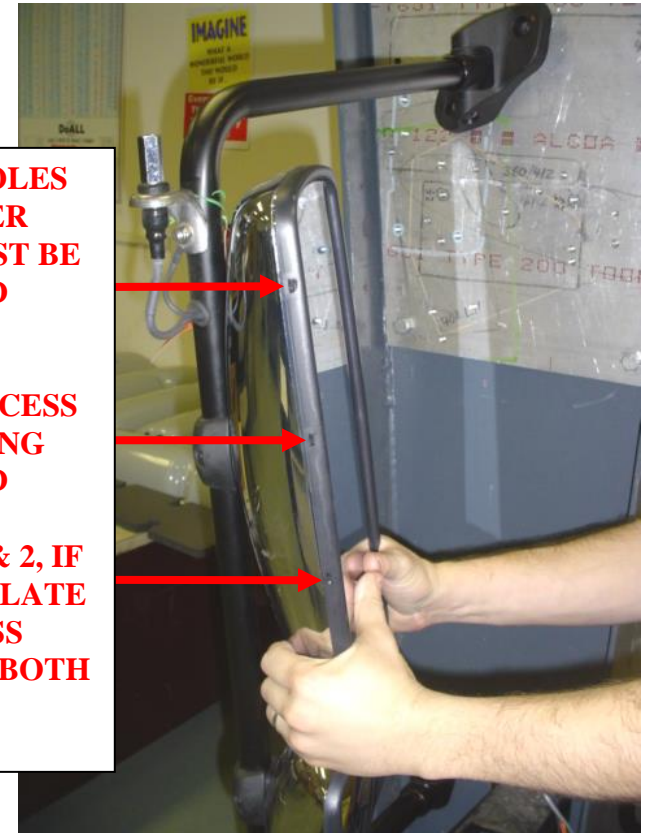
**For Safety**  
**Wear protective Gloves**  
**Wear Safety Glasses**

### To Install Mirror Plate

- 1) If mirror is heated, attach wire terminals to the back of the new mirror plate.
- 2) Align locking clips on mirror plate with mirror housing. **Make sure all the clips are inside the housing before pushing on the mirror plate!** This will keep from damaging the locking clips. Failure to install the mirror plate correctly could result in vibration, or loss of mirror plate.
- 3) Press mirror plate into housing firmly, ensuring all clips lock into place.



1. **ACCESS HOLES ON CARRIER PLATE MUST BE OUTBOUND**
2. **ARROWS DEPICT ACCESS HOLES BEING OUTBOUND**
3. **IGNORE 1 & 2, IF CARRIER PLATE HAS ACCESS HOLES ON BOTH SIDES.**







If you have any questions, contact technical support at:

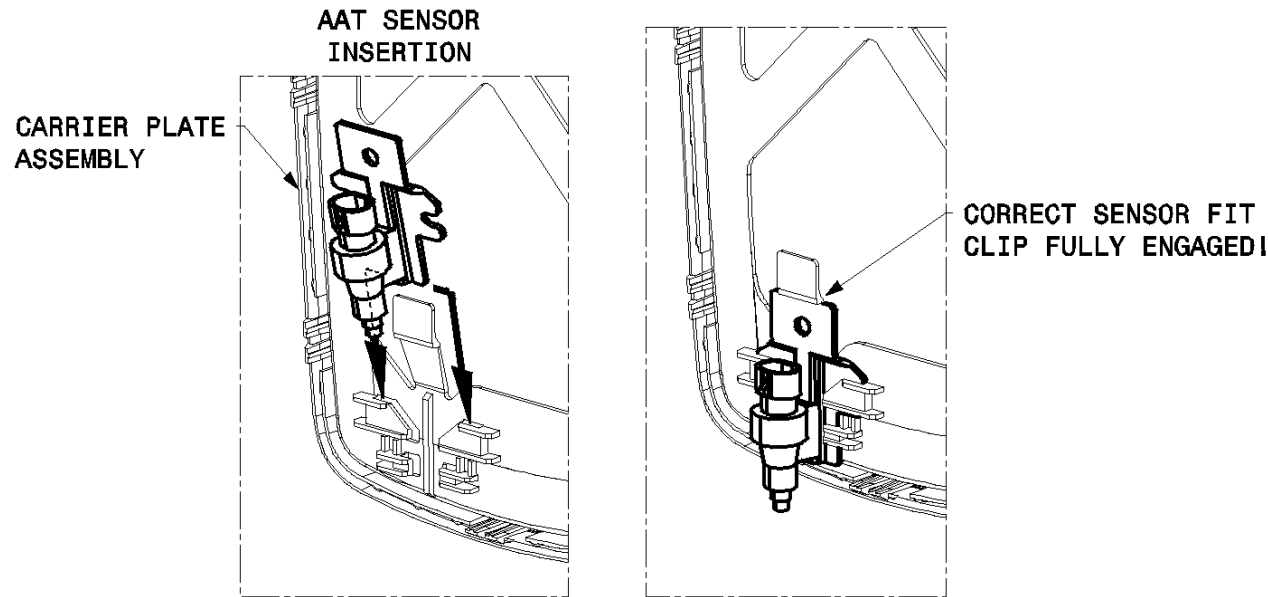
Tel: 1-888-MEKRA 4U / Fax: (803) 337 5265

E mail: [quality@lang-mekra.com](mailto:quality@lang-mekra.com)

[www.lang-mekra.com](http://www.lang-mekra.com)

These Products May Be The Subject of Pending U.S. Patent Applications or May Be Covered By One or More U.S. Patents.

## (G.5.3) Glass Carrier Plate with AAT Instructions



RT table for 8536-202: CUMMINS

°C	°F	RESISTANCE	
		MIN (kOhms)	MAX (kOhms)
-40	-40	291.49	381.71
-30	-22	155.2	199.6
-20	-4	85.85	108.39
-10	14	49.25	61.43
0	32	29.33	35.99
10	50	17.99	21.81
20	68	11.37	13.61
25	77	9.12	10.88
30	86	7.37	8.75
40	104	4.9	5.75
50	122	3.33	3.88
60	140	2.31	2.67
70	158	1.63	1.87
80	176	1.17	1.34
90	194	0.86	0.97
100	212	0.64	0.72
110	230	0.48	0.54
120	248	0.37	0.41
130	266	0.28	0.32
140	284	0.21	0.25
150	302	0.17	0.2
160	320	0.14	0.16

Using a multi-meter, troubleshoot the AAT wire harness first for continuity. If the AAT wire harness has proper continuity, then check the AAT sensor referencing the ambient chart above. If the AAT sensor is not working correctly to the chart then replace it by using the following instructions.

To remove the AAT sensor, depress the black locking tab and push the sensor in towards the center of the carrier plate assembly.

Replace the sensor by using the sensor to depress the black locking tab and push out ward until the black locking tab is fully engaged.



If you have any questions, contact technical support at:

Tel: 1-888-MEKRA 4U / Fax: (803) 337 5265

E mail: [quality@lang-mekra.com](mailto:quality@lang-mekra.com)

[www.lang-mekra.com](http://www.lang-mekra.com)

These Products May Be The Subject of Pending U.S. Patent Applications<sup>9</sup>  
or May Be Covered By One or More U.S. Patents.

## T.1.1 Bracket Does Not Fold Back

Brackets are equipped with a fold-away feature, sometimes referred to as a break-away system. The mirrors will fold back either manually, or spontaneously upon impact. This feature helps to minimize damage to the mirror system and the door.

The brackets have rotating attachments that allow the fold away (break-away) function. The upper holder is designed to give the bracket stability. However, the upper fastener kit may sometimes require adjustment. See **G.2** to service the upper fastener.

**Do not attempt to disassemble the lower holder / break-away assembly. This assembly is spring-loaded, and serious injury could occur if improperly serviced.**

## T.1.2 Bracket Folds Back Too Easily or Vibrates

If the upper fastener kit is too loose, it will have to be tightened. If the upper fastener kit has been over-torqued and flattened the Belleville washers, the entire fastener kit must be replaced. See **G.2** to service the upper fastener.

Make sure the attachments to the door are secure.

Ensure the lower pivot is in the correct detent position.



Lower Holder Assembly



If you have any questions, contact technical support at:

Tel: 1-888-MEKRA 4U / Fax: (803) 337 5265

E mail: [quality@lang-mekra.com](mailto:quality@lang-mekra.com)

[www.lang-mekra.com](http://www.lang-mekra.com)

These Products May Be The Subject of Pending U.S. Patent Application#10 or May Be Covered By One or More U.S. Patents.

## T.1.3 Installing a Flip-out Arm

If the mirror system continues to vibrate, consider installing a third arm. (part number 614100006)

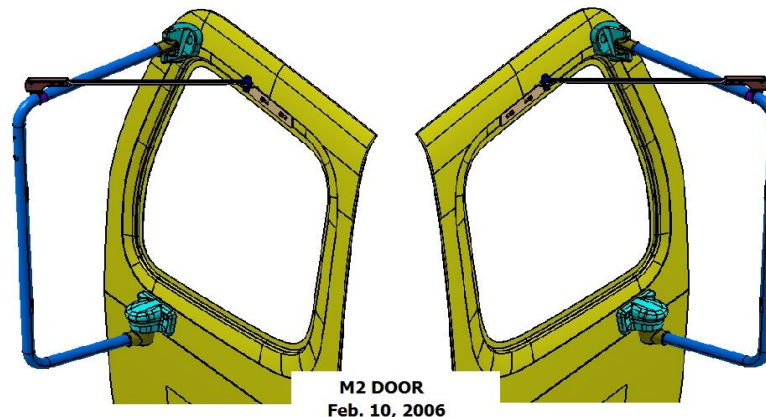
*Please note that the pivot point at the holder and the arm is at the top of the holder.*

1. First, attach the third arm to the top of the bracket as shown in the picture. Secure it in place using the M8 socket Head Bolt and M8 Nyloc nut provided with the kit.



2. Put the other end of the arm against the door and locate the spots where you will need to drill holes (NOTE: For a look-down mirror on the passenger side, remove it and use those holes). Drill two 17/32" holes where needed and insert two 5/16 – 18 Rivnuts.

3. Secure the flat end of the arm to the door using the screws provided.





If you have any questions, contact technical support at:

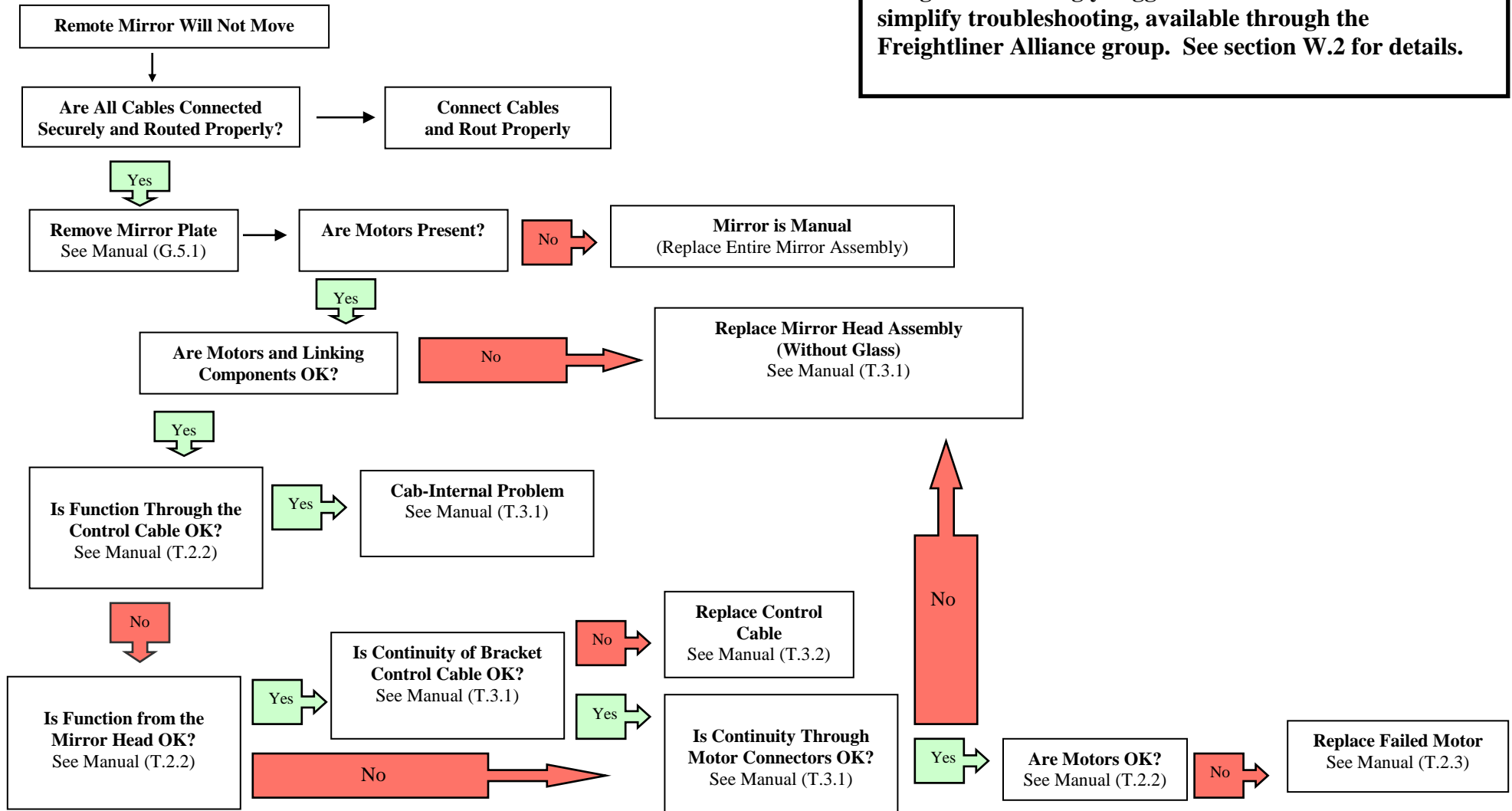
Tel: 1-888-MEKRA 4U / Fax: (803) 337 5265

E mail: [quality@lang-mekra.com](mailto:quality@lang-mekra.com)

[www.lang-mekra.com](http://www.lang-mekra.com)

These Products May Be The Subject of Pending U.S. Patent Application # 1 or May Be Covered By One or More U.S. Patents.

## T.2.1 Mirror Movement Analysis Flowchart



## T.2.2 Mirror Movement Analysis



If you have any questions, contact technical support at:

Tel: 1-888-MEKRA 4U / Fax: (803) 337 5265

E mail: [quality@lang-mekra.com](mailto:quality@lang-mekra.com)

[www.lang-mekra.com](http://www.lang-mekra.com)

These Products May Be The Subject of Pending U.S. Patent Application#2  
or May Be Covered By One or More U.S. Patents.

- 1) Follow the flowchart in **T.2.1** to diagnose mirror movement problems.
- 2) Make sure all cables and connections are tight.
- 3) Remove the mirror glass according to **G.5.1**. Check to ensure the mirror is remote (there are motors present). Sometimes, a customer may have a manual mirror with a remote control switch inside the truck. If this is the case, the entire assembly must be replaced if the customer wants a remote control mirror.
- 4) Are the motor arms and linking components in good visual condition and function? If not, replace the appropriate part as indicated in the flowchart.
- 5) Using a tester unit (or supplying power to the control cable according to **T.3.1**) check the mirror function from the end of the control cable at the door (under the lower cover). If the mirror functions properly, the fault is cab-internal.
- 6) Using a tester unit (or supplying power to the motor connector inside the mirror head) check the function of the mirror head. If the mirror functions at this point, but not from the control cable (under the lower cover), the problem is in the control cable. Check the connections, and if necessary replace the control cable according to **T.3.2**. Always perform a continuity check (see **T.3.1**) on the control cable and confirm the fault before attempting replacement.
- 7) If there is no continuity through the motor connector according to **T.3.1**, replace the motor or the mirror head assembly. To determine which must be replaced, snip the wires for the appropriate motor about 2 1/2" from the motor connector. Put the motor leads to power—if the motor does not function, it must be replaced. See **T.2.5** for details. If the motor functions when the leads are directly connected to power, but does not function when power is supplied to the connection, the motor connector is faulty. The mirror head assembly must be replaced. See **T.2.4** for details.





If you have any questions, contact technical support at:

Tel: 1-888-MEKRA 4U / Fax: (803) 337 5265

E mail: [quality@lang-mekra.com](mailto:quality@lang-mekra.com)

[www.lang-mekra.com](http://www.lang-mekra.com)

These Products May Be The Subject of Pending U.S. Patent Application#3 or May Be Covered By One or More U.S. Patents.

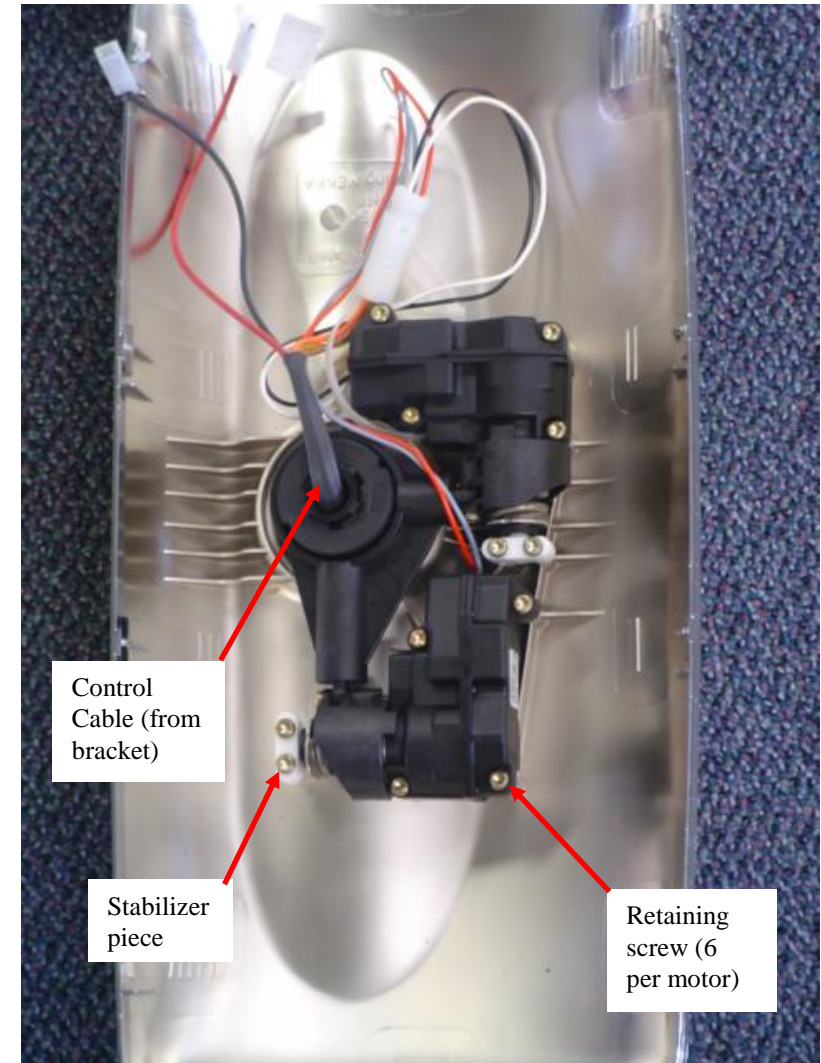
## (T.2.3) Motor (Actuator) Replacement

### Actuator Removal

- 1) Remove mirror plate (**G.5.1**)
- 2) After identifying the non-functioning motor according to **T.2.1** and **T.2.2**, remove the six retaining screws with a 4mm torx driver. Slide the unattached motor away from center pivot and lift it out of the housing.
- 3) Remove the white stabilizer piece from the old motor and save it. It will be used when installing the new motor.
- 4) Unplug the old actuator from the motors connector.

### Actuator Installation

- 1) Plug the wires from the new actuator assembly into the motors connector on the control cable. Make sure the wires are not pinched or strained.
- 2) Attach the white stabilizing piece to the new motor and slide the motor into the center pivot.
- 3) Fasten motor with six screws to 0.7-1.2 N-m, using a 4mm torx driver.
- 4) Reinstall the glass, being sure to connect the heater wires if applicable (**G.5.2**).





If you have any questions, contact technical support at:

Tel: 1-888-MEKRA 4U / Fax: (803) 337 5265

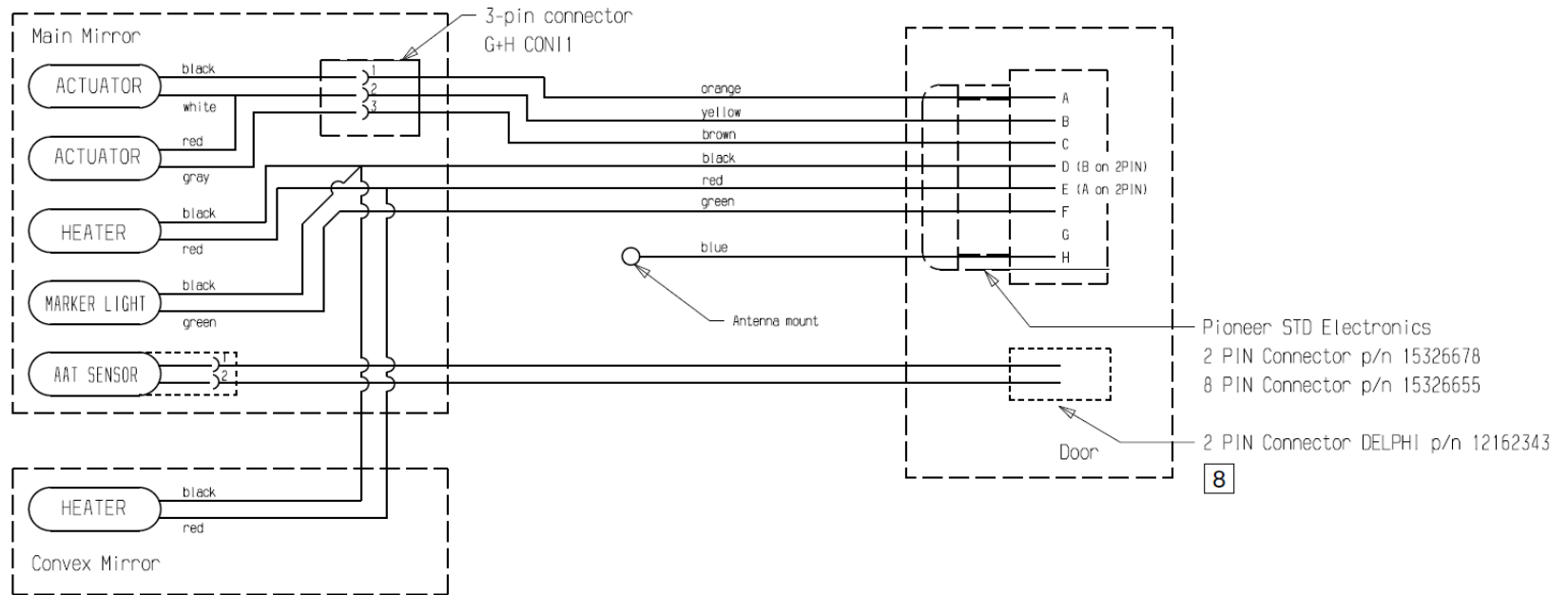
E mail: [quality@lang-mekra.com](mailto:quality@lang-mekra.com)

[www.lang-mekra.com](http://www.lang-mekra.com)

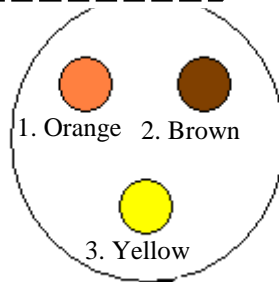
These Products May Be The Subject of Pending U.S. Patent Application#4 or May Be Covered By One or More U.S. Patents.

## (T.3.1) Wiring & Connections

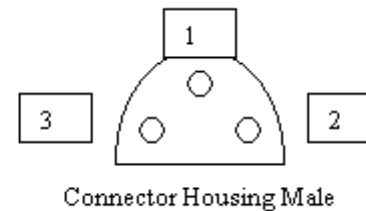
### HEATED/REMOTE/LIGHT/ AAT WIRING



### MOTOR CONNECTOR



**LH:**  
 1- Red & Black  
 2-White  
 3-Gray



**RH:**  
 1-Gray & white  
 2-Black  
 3-Red



If you have any questions, contact technical support at:

Tel: 1-888-MEKRA 4U / Fax: (803) 337 5265

E mail: [quality@lang-mekra.com](mailto:quality@lang-mekra.com)

[www.lang-mekra.com](http://www.lang-mekra.com)

These Products May Be The Subject of Pending U.S. Patent Application#5  
or May Be Covered By One or More U.S. Patents.

## **(T.3.2) Control Cable Replacement / CB Cable Replacement**

When replacing the existing cabling, DO NOT remove the existing wiring. Instead, use the existing wiring to route the new cable through the bracket tube. Call our toll-free technical support hotline for assistance (1-888-MEKRA-4-U).



If you have any questions, contact technical support at:

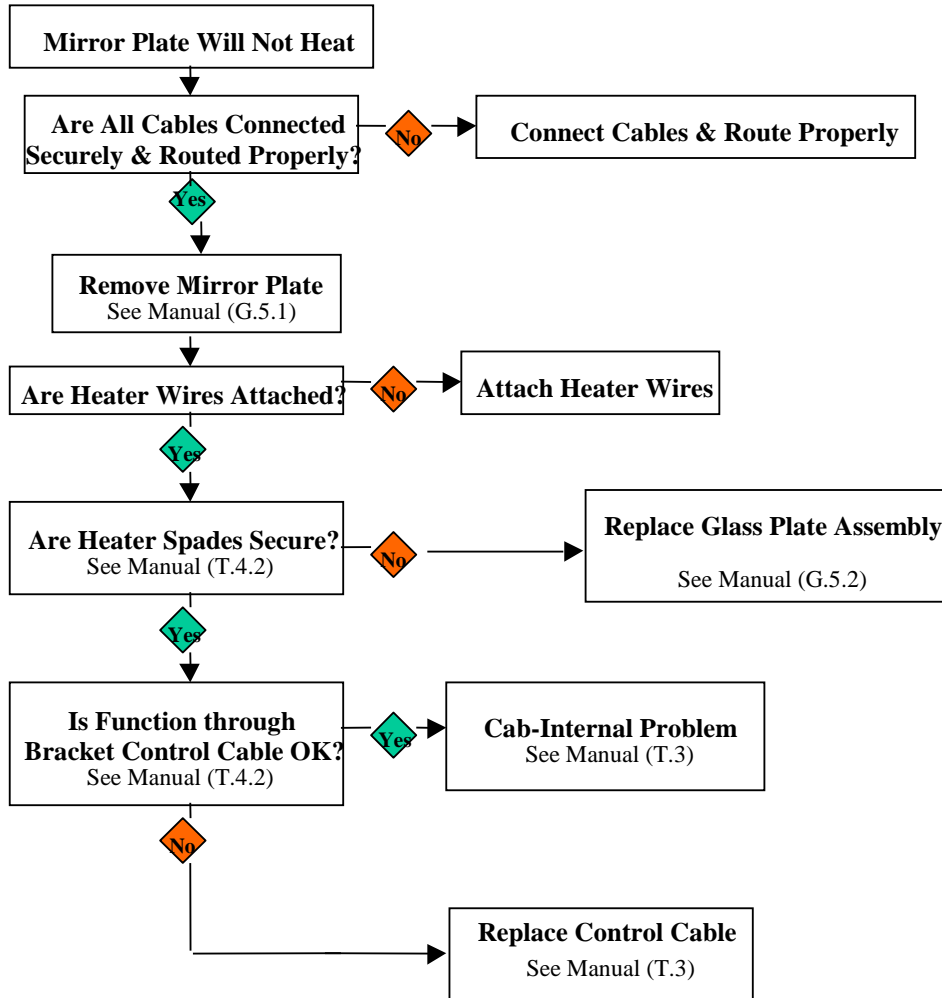
Tel: 1-888-MEKRA 4U / Fax: (803) 337 5265

E mail: [quality@lang-mekra.com](mailto:quality@lang-mekra.com)

[www.lang-mekra.com](http://www.lang-mekra.com)

These Products May Be The Subject of Pending U.S. Patent Application#6  
or May Be Covered By One or More U.S. Patents.

## (T.4.1) Mirror Heat Analysis Flowchart



Lang-Mekra strongly suggests the use of a test unit to simplify troubleshooting, available through the Freightliner Alliance group. See section W.2 for details.



If you have any questions, contact technical support at:

Tel: 1-888-MEKRA 4U / Fax: (803) 337 5265

E mail: [quality@lang-mekra.com](mailto:quality@lang-mekra.com)

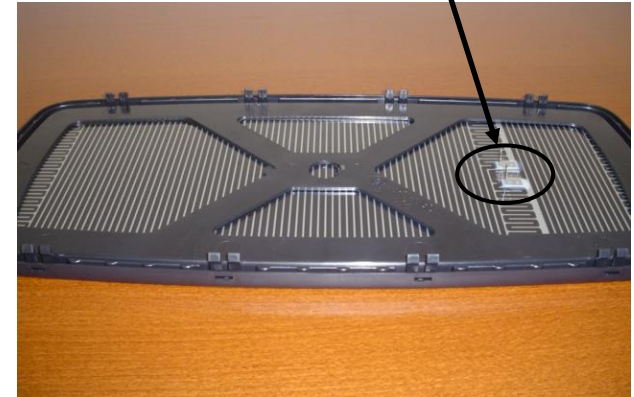
[www.lang-mekra.com](http://www.lang-mekra.com)

These Products May Be The Subject of Pending U.S. Patent Application#7  
or May Be Covered By One or More U.S. Patents.

## (T.4.2) Mirror Heat Analysis

- 1) Follow the flowchart in **T.4.1** to promptly diagnose mirror heat problems.
- 2) Remove the mirror glass according to **G.5.1**. Check to ensure the mirror is heated. (Heater spades are present.)
- 3) Make sure all cables and connections are tight.
- 4) Check to see if the heater terminals are secure. (See Illustration). If not, replace the glass plate assembly.
- 5) Using a tester unit, or supplying power to the bracket cable according to **T.3**, test the function of the heat from control cable at the door (under the lower cover). If the mirror functions properly, the fault is cab-internal.
- 6) Using a tester unit, or supplying power to the heater terminals according to **T.3**, test the function of the heat from mirror head. If the heat functions at this point, but not from the control cable, the problem is in the control cable (inside the bracket). Check the connections, and if necessary replace the control cable as indicated in the flowchart. Always perform a continuity check (see **T.3**) on the control cable and confirm the fault before attempting to replace the control cable.
- 7) If the mirror fault is not with the control cable, replace the mirror glass according to **G.5**.

Heater Terminals



When attaching or detaching the heater wires, be sure to push or pull on the white terminal cover. Do not pull on the wires, or pull up or down on the heater terminals.

## (T.5) Surface Finishes

The paint on the bracket and holders is a flexible, weather-resistant powder coating. This coating requires no topcoat. If the paint is chipped or otherwise damaged, use Dupont paint number 373-P-23290 for repainting of silhouette grey systems. For bright or chrome systems, a matching wet paint may be used after the surface is sufficiently prepared.





If you have any questions, contact technical support at:

Tel: 1-888-MEKRA 4U / Fax: (803) 337 5265

E mail: [quality@lang-mekra.com](mailto:quality@lang-mekra.com)

[www.lang-mekra.com](http://www.lang-mekra.com)

These Products May Be The Subject of Pending U.S. Patent Application#8  
or May Be Covered By One or More U.S. Patents.

## (W.1) Warranty Coverage

Lang-Mekra provides a warranty for production parts covering materials and workmanship. Warranty reimbursement includes part replacement, repair time at accepted labor rates and reasonable administrative costs. The time period of the warranty coverage and specific terms of reimbursement are determined through the warranty agreement with the Freightliner Truck Corporation.

### **The warranty will cover:**

- Functional Quality of Components
- Lang-Mekra Workmanship
- Confirmed Field Failures
- Labor Costs for Replacement
- Reasonable Administrative Costs

### **The warranty will not cover:**

- Glass Breakage and Other Impact, Abuse, Mistreatment
- Minor Re-assembly
- Unnecessary and/or Improper Service
- Unauthorized Product Alterations and/or Additions
- Unreasonable Costs
- Full Mirror System Replacement

**Please Do Not Submit Warranty Claims for Items That Have Suffered Impact!  
Parts Returned Exhibiting Impact Damage Will Be Denied Coverage, and May Be Returned Freight-Collect**

Lang-Mekra reserves the right to inspect submitted warranty claims. Upon satisfactory performance and history, dealers, fleets and other end users may be granted coverage based on description alone. Evaluation points will include:

- Complete and Accurate Claim Descriptions
- Absence of Rejected Claims
- Use of Appropriate Replacement Parts
- Constructive Feedback



If you have any questions, contact technical support at:

Tel: 1-888-MEKRA 4U / Fax: (803) 337 5265

E mail: [quality@lang-mekra.com](mailto:quality@lang-mekra.com)

[www.lang-mekra.com](http://www.lang-mekra.com)

These Products May Be The Subject of Pending U.S. Patent Applications or May Be Covered By One or More U.S. Patents.

## (W.2) Available Service Parts

All warranty replacements should utilize the appropriate service part or parts. **Unnecessary replacements cannot be covered by warranty.**

The following list represents all parts currently available for service and after-market use relating to the Lang-Mekra M2 mirrors.

#	DTNA Part Number	LMNA Part Number	Mirror System	A22-59615-004	A22-59615-005	A22-59615-002	A22-59615-003	A22-59615-000	A22-59615-001	A22-59615-016	A22-59615-011	A22-59615-014	A22-59615-015	A22-59615-012	A22-59615-013	A22-59615-010	A22-59615-008	A22-59615-009	A22-59615-006	A22-59615-007	A22-59615-025	A22-59615-024	A22-71279-002	A22-71279-001	A22-71279-000	A22-71279-008	A22-71279-007	A22-71279-006	A22-71279-005	A22-71279-004	A22-71279-003	A22-71279-009	A22-71279-010			
1	A22-59615-004	59 4143 001	MIR SYS, LH, 414 MAN/HTD, 415 MAN/HTD, 102", BLACK	X																																
2	A22-59615-005	59 4143 002	MIR SYS, RH, 414 MAN/HTD, 415 MAN/HTD, 102", BLACK		X																															
1	A22-59615-002	59 4143 003	MIR SYS, LH, 414 MAN/UHT, 415 MAN/UHT, 102", BLACK			X																														
2	A22-59615-003	59 4143 004	MIR SYS, RH, 414 MAN/UHT, 415 MAN/UHT, 102", BLACK				X																													
1	A22-59615-000	59 4143 005	MIR SYS, LH, 414 MAN/UHT, 102", BLACK					X																												
2	A22-59615-001	59 4143 006	MIR SYS, RH, 414 MAN/UHT, 102", BLACK						X																											
1	A22-59615-016	59 4143 007	MIR SYS, LH, 414 RMT/HTD, 415 MAN/HTD, 102", CHROME, CB							X																										
2	A22-59615-011	59 4143 008	MIR SYS, RH, 414 MAN/HTD, 415 MAN/HTD, 102", CHROME, CB								X																									
1	A22-59615-014	59 4143 009	MIR SYS, LH, 414 RMT/HTD, 415 MAN/HTD, 102", CHROME									X																								
2	A22-59615-015	59 4143 010	MIR SYS, RH, 414 RMT/HTD, 415 MAN/HTD, 102", CHROME										X																							
1	A22-59615-012	59 4143 011	MIR SYS, LH, 414 MAN/HTD, 415 MAN/HTD, 102", CHROME, LTD											X																						
2	A22-59615-013	59 4143 012	MIR SYS, RH, 414 MAN/HTD, 415 MAN/HTD, 102", CHROME, LTD												X																					
1	A22-59615-010	59 4143 017	MIR SYS, LH, 414 MAN/HTD, 415 MAN/HTD, 102", CHROME, CB													X																				
1	A22-59615-008	59 4143 013	MIR SYS, LH, 414 MAN/HTD, 415 MAN/HTD, 102", CHROME														X																			
2	A22-59615-009	59 4143 014	MIR SYS, RH, 414 MAN/HTD, 415 MAN/HTD, 102", CHROME															X																		
1	A22-59615-006	59 4143 015	MIR SYS, LH, 414 MAN/UHT, 415 MAN/UHT, 102", CHROME																X																	
2	A22-59615-007	59 4143 016	MIR SYS, RH, 414 MAN/UHT, 415 MAN/UHT, 102", CHROME																	X																
1	A22-59615-025	59 4143 019	MIR SYS, LH, 414 MAN/HTD, 415 MAN/HTD, 102", BLACK, CB																		X															
1	A22-59615-024	59 4143 021	MIR SYS, LH, 414 MAN/UHT, 415 MAN/UHT, 102", BLACK, CB																			X														
1	A22-71279-002	59 4146 001	MIR SYS, LH, 414 MAN/HTD, 415 MAN/HTD, 102", BLACK, AAT SENSOR																				X													
1	A22-71279-001	59 4146 003	MIR SYS, LH, 414 MAN/UHT, 415 MAN/UHT, 102", BLACK, AAT SENSOR																						X											
1	A22-71279-000	59 4146 005	MIR SYS, LH, 414 MAN/UHT, 102", BLACK, AAT SENSOR																								X									



If you have any questions, contact technical support at:

These Products May Be The Subject of Pending U.S. Patent Applications or May Be Covered By One or More U.S. Patents.

Tel: 1-888-MEKRA 4U / Fax: (803) 337 5265

E mail: [quality@lang-mekra.com](mailto:quality@lang-mekra.com)

[www.lang-mekra.com](http://www.lang-mekra.com)

#	DTNA Part Number	LMNA Part Number	Mirror System	A22-59615-004	A22-59615-005	A22-59615-002	A22-59615-003	A22-59615-000	A22-59615-001	A22-59615-016	A22-59615-011	A22-59615-014	A22-59615-015	A22-59615-012	A22-59615-013	A22-59615-010	A22-59615-008	A22-59615-009	A22-59615-006	A22-59615-007	A22-59615-025	A22-59615-024	A22-71279-002	A22-71279-001	A22-71279-000	A22-71279-008	A22-71279-007	A22-71279-006	A22-71279-005	A22-71279-004	A22-71279-003	A22-71279-009	A22-71279-010			
				1	A22-71279-008	59 4146 007	MIR SYS, LH, 414 RMT/HTD, 415 MAN/HTD, 102", CHROME, CB, AAT SENSOR																								X					
1	A22-71279-007	59 4146 009	MIR SYS, LH, 414 RMT/HTD, 415 MAN/HTD, 102", CHROME, AAT SENSOR																									X								
1	A22-71279-006	59 4146 011	MIR SYS, LH, 414 MAN/HTD, 415 MAN/HTD, 102", CHROME, LTD, AAT SENSOR																										X							
1	A22-71279-005	59 4146 017	MIR SYS, LH, 414 MAN/HTD, 415 MAN/HTD, 102", CHROME, CB, AAT SENSOR																											X						
1	A22-71279-004	59 4146 013	MIR SYS, LH, 414 MAN/HTD, 415 MAN/HTD, 102", CHROME, AAT SENSOR																												X					
1	A22-71279-003	59 4146 015	MIR SYS, LH, 414 MAN/UHT, 415 MAN/UHT, 102", CHROME, AAT SENSOR																													X				
1	A22-71279-009	59 4146 019	MIR SYS, LH, 414 MAN/HTD, 415 MAN/HTD, 102", BLACK, CB, AAT SENSOR																														X			
1	A22-71279-010	59 4146 021	MIR SYS, LH, 414 MAN/UHT, 415 MAN/UHT, 102", BLACK, CB, AAT SENSOR																																X	

#	DTNA Part Number	LMNA Part Number	Bracket	A22-59615-004	A22-59615-005	A22-59615-002	A22-59615-003	A22-59615-000	A22-59615-001	A22-59615-016	A22-59615-011	A22-59615-014	A22-59615-015	A22-59615-012	A22-59615-013	A22-59615-010	A22-59615-008	A22-59615-009	A22-59615-006	A22-59615-007	A22-59615-025	A22-59615-024	A22-71279-002	A22-71279-001	A22-71279-000	A22-71279-008	A22-71279-007	A22-71279-006	A22-71279-005	A22-71279-004	A22-71279-003	A22-71279-009	A22-71279-010				
				3	A22-57002-012	58 4143 020	BRKT SYS, LH, 414 MAN, BLACK					1																									
4	A22-57002-011	58 4143 030	BRKT SYS, RH, 414 MAN, BLACK						1																												
3	A22-57002-000	58 4143 120	BRKT SYS, LH, 414 MAN/UHT, 415 MAN/UHT, BLACK			1													1																		
3	TBD	58 4143 121	BRKT SYS, LH, 414 MAN, 415 MAN, BLACK, CB																				1														
4	A22-57002-001	58 4143 130	BRKT SYS, RH, 414 MAN/UHT, 415 MAN/UHT, BLACK				1													1																	
3	A22-57002-002	58 4143 420	BRKT SYS, LH, 414 MAN/HTD, 415 MAN/HTD, BLACK	1													1																				
4	A22-57002-003	58 4143 430	BRKT SYS, RH, 414 MAN/HTD, 415 MAN/HTD, BLACK		1													1																			
3	A22-57002-008	58 4143 421	BRKT SYS, LH, 414 MAN/HTD, 415 MAN/HTD, BLACK, CB													1						1															
4	A22-57002-009	58 4143 431	BRKT SYS, RH, 414 MAN/HTD, 415 MAN/HTD, BLACK, CB								1											1															
3	A22-57002-004	58 4143 422	BRKT SYS, LH, 414 MAN/HTD, 415 MAN/HTD, BLACK, LTD											1																							
4	A22-57002-005	58 4143 432	BRKT SYS, RH, 414 MAN/HTD, 415 MAN/HTD, BLACK, LTD												1																						
3	A22-57002-006	58 4143 520	BRKT SYS, LH, 414 RMT/HTD, 415 MAN/HTD, BLACK									1																									
4	A22-57002-007	58 4143 530	BRKT SYS, RH, 414 RMT/HTD, 415 MAN/HTD, BLACK										1																								
3	A22-57002-010	58 4143 521	BRKT SYS, LH, 414 RMT/HTD, 415 MAN/HTD, BLACK, CB							1																											
3	TBD	58 4146 020	BRKT SYS, LH, 414 MAN, BLACK, AAT SENSOR																							1											
3	TBD	58 4146 120	BRKT SYS, LH, 414 MAN/UHT, 415 MAN/UHT, BLACK, AAT SENSOR																							1							1				
3	TBD	58 4146 121	BRKT SYS, LH, 414-MAN, 415-MAN, BLACK, CB, AAT SENSOR																																1		
3	TBD	58 4146 420	BRKT SYS, LH, 414 MAN/HTD, 415 MAN/HTD, BLACK, AAT SENSOR																					1													
3	TBD	58 4146 421	BRKT SYS, LH, 414 MAN/HTD, 415 MAN/HTD, BLACK, CB, AAT SENSOR																											1							1
3	TBD	58 4146 422	BRKT SYS, LH, 414 MAN/HTD, 415 MAN/HTD, BLACK, LTD, AAT SENSOR																						1												
3	TBD	58 4146 520	BRKT SYS, LH, 414 RMT/HTD, 415 MAN/HTD, BLACK, AAT SENSOR																									1									
3	TBD	58 4146 521	BRKT SYS, LH, 414 RMT/HTD, 415 MAN/HTD, BLACK, CB, AAT SENSOR																								1										



If you have any questions, contact technical support at:

Tel: 1-888-MEKRA 4U / Fax: (803) 337 5265

E mail: [quality@lang-mekra.com](mailto:quality@lang-mekra.com)

[www.lang-mekra.com](http://www.lang-mekra.com)

These Products May Be The Subject of Pending U.S. Patent Application 20110200001 or May Be Covered By One or More U.S. Patents.

#	DTNA Part Number	LMNA Part Number	Main Mirror Head	A22-59615-004	A22-59615-005	A22-59615-002	A22-59615-003	A22-59615-000	A22-59615-001	A22-59615-016	A22-59615-011	A22-59615-014	A22-59615-015	A22-59615-012	A22-59615-013	A22-59615-010	A22-59615-008	A22-59615-009	A22-59615-006	A22-59615-007	A22-59615-025	A22-59615-024	A22-71279-002	A22-71279-001	A22-71279-000	A22-71279-008	A22-71279-007	A22-71279-006	A22-71279-005	A22-71279-004	A22-71279-003	A22-71279-009	A22-71279-010					
				5	A22-58515-006	51 4144 131	MIRHD, MAIN, MAN, CHROME, LTD										1	1																				
5	A22-58515-000	51 4145 030	MIRHD, MAIN, MAN, BLACK	1	1	1	1	1	1												1	1																
5	A22-54986-001	51 4144 030	MIRHD, MAIN, MAN, CHROME							1							1	1	1	1	1																	
5	A22-58515-004	51 4144 200	MIRHD, MAIN, RMT, LH, CHROME							1		1																										
6	A22-58515-005	51 4144 210	MIRHD, MAIN, RMT, RH, CHROME										1																									
5	TBD	51 4146 131	MIRHD, MAIN, MAN, LH, CHROME, LTD, AAT SENSOR																									1										
5	TBD	51 4147 030	MIRHD, MAIN, MAN, LH, BLACK, AAT SENSOR																					1	1	1								1	1			
5	TBD	51 4146 030	MIRHD, MAIN, MAN, LH, CHROME, AAT SENSOR																											1	1	1						
5	TBD	51 4146 220	MIRHD, MAIN, RMT, LH, CHROME, AAT SENSOR																							1	1											
5	TBD	51 4145 200	MIRHD, MAIN, RMT, LH, BLACK																																			
6	TBD	51 4145 210	MIRHD, MAIN, RMT, RH, BLACK																																			

#	DTNA Part Number	LMNA Part Number	Convex Mirror Head	A22-59615-004	A22-59615-005	A22-59615-002	A22-59615-003	A22-59615-000	A22-59615-001	A22-59615-016	A22-59615-011	A22-59615-014	A22-59615-015	A22-59615-012	A22-59615-013	A22-59615-010	A22-59615-008	A22-59615-009	A22-59615-006	A22-59615-007	A22-59615-025	A22-59615-024	A22-71279-002	A22-71279-001	A22-71279-000	A22-71279-008	A22-71279-007	A22-71279-006	A22-71279-005	A22-71279-004	A22-71279-003	A22-71279-009	A22-71279-010			
				13	A22-58517-000	56 4155 030	MIRROR HD, CONVEX, MAN, BLACK	1	1	1	1																									
13	A22-58517-001	56 4154 030	MIRROR HD, CONVEX, MAN, CHROME					-	-	1	1	1	1	1	1	1	1	1	1	1	1	1	1	1	1	1	1	1	1	1	1	1	1	1	1	1

#	DTNA Part Number	LMNA Part Number	Glass Carrier Plate	A22-59615-004	A22-59615-005	A22-59615-002	A22-59615-003	A22-59615-000	A22-59615-001	A22-59615-016	A22-59615-011	A22-59615-014	A22-59615-015	A22-59615-012	A22-59615-013	A22-59615-010	A22-59615-008	A22-59615-009	A22-59615-006	A22-59615-007	A22-59615-025	A22-59615-024	A22-71279-002	A22-71279-001	A22-71279-000	A22-71279-008	A22-71279-007	A22-71279-006	A22-71279-005	A22-71279-004	A22-71279-003	A22-71279-009	A22-71279-010				
				11	A22-58516-000	15 4143 200	CARRIER PLATE ASM, MAIN W/O HEAT			1	1	1	1										1	1													
11	A22-58516-001	15 4143 207	CARRIER PLATE ASM, MAIN W/ HEAT	1	1					1	1	1	1	1	1	1	1	1																			
12	A22-59713-000	15 4153 225	CARRIER PLATE ASM, CONVEX R400, W/O HEAT			1	1	-	-										1	1	1	1	1	1	1	1	1	1	1	1	1	1	1	1	1	1	
12	A22-59713-001	15 4153 227	CARRIER PLATE ASM, CONVEX R400, W/ HEAT	1	1			-	-	1	1	1	1	1	1	1	1	1																			



If you have any questions, contact technical support at:

These Products May Be The Subject of Pending U.S. Patent Applications or May Be Covered By One or More U.S. Patents.

Tel: 1-888-MEKRA 4U / Fax: (803) 337 5265

E mail: [quality@lang-mekra.com](mailto:quality@lang-mekra.com)

[www.lang-mekra.com](http://www.lang-mekra.com)

#	DTNA Part Number	LMNA Part Number	Actuator	A22-59615-004	A22-59615-005	A22-59615-002	A22-59615-003	A22-59615-000	A22-59615-001	A22-59615-016	A22-59615-011	A22-59615-014	A22-59615-015	A22-59615-012	A22-59615-013	A22-59615-010	A22-59615-008	A22-59615-009	A22-59615-006	A22-59615-007	A22-59615-025	A22-59615-024	A22-71279-002	A22-71279-001	A22-71279-000	A22-71279-008	A22-71279-007	A22-71279-006	A22-71279-005	A22-71279-004	A22-71279-003	A22-71279-009	A22-71279-010			
				9	MEK 084143012	08 4143 012	ACTUATOR, LH							1		1	1														1	1				
10	MEK 084143112	08 4143 112	ACTUATOR, RH							1		1	1														1	1								

#	DTNA Part Number	LMNA Part Number	Harness	A22-59615-004	A22-59615-005	A22-59615-002	A22-59615-003	A22-59615-000	A22-59615-001	A22-59615-016	A22-59615-011	A22-59615-014	A22-59615-015	A22-59615-012	A22-59615-013	A22-59615-010	A22-59615-008	A22-59615-009	A22-59615-006	A22-59615-007	A22-59615-025	A22-59615-024	A22-71279-002	A22-71279-001	A22-71279-000	A22-71279-008	A22-71279-007	A22-71279-006	A22-71279-005	A22-71279-004	A22-71279-003	A22-71279-009	A22-71279-010		
				14	MEK 094140002	09 4140 002	HEATER CABLE HTD/HTD	1	1					1	1	1	1			1	1	1			1		1	1	1	1	1	1		1	1
14	MEK 094140003	09 4140 003	CONTROL CABLE							1		1	1													1	1								
14	MEK 094140004	09 4140 004	HEATER CABLE HTD/HTD/LIGHT											1	1														1						
17	MEK 094140005	09 4140 005	CB GROUND CABLE							1	1					1											1			1					

#	DTNA Part Number	LMNA Part Number	Parts & Kits	A22-59615-004	A22-59615-005	A22-59615-002	A22-59615-003	A22-59615-000	A22-59615-001	A22-59615-016	A22-59615-011	A22-59615-014	A22-59615-015	A22-59615-012	A22-59615-013	A22-59615-010	A22-59615-008	A22-59615-009	A22-59615-006	A22-59615-007	A22-59615-025	A22-59615-024	A22-71279-002	A22-71279-001	A22-71279-000	A22-71279-008	A22-71279-007	A22-71279-006	A22-71279-005	A22-71279-004	A22-71279-003	A22-71279-009	A22-71279-010		
				18	MEK 624059999	62 4059 999	CLAMP KIT BLK, W/SC	2	2	2	2	1	1	2	2	2	2	2	2	2	2	2	2	2	2	2	2	2	2	2	2	2	2	2	2
14	MEK 094140007	09 4140 007	AAT CABLE KIT																				1	1	1	1	1	1	1	1	1	1	1	1	1
19	MEK 080063996	08 0063 996	AAT SENSOR (CUMMINS, GREY)																				1	1	1	1	1	1	1	1	1	1	1	1	1
16	MEK 093841100	09 3841 100	CB CABLE REPLACEMENT KIT							1	1					1						1	1				1			1				1	1
20	MEK 083841210	08 3841 210	STANDOFF NUT							1	1					1						1	1				1			1				1	1
21	MEK 613871900	61 3871 900	ANTENNA KIT-CB							1	1					1						1	1				1			1				1	1
22	MEK 614090029	61 4090 029	CB BRACKET KIT							1	1					1						1	1				1			1				1	1
23	MEK 614100006	61 4100 006	FLIP-OUT (THIRD) ARM KIT	x	x	x	x	x	x	x	x	x	x	x	x	x	x	x	x	x	x	x	x	x	x	x	x	x	x	x	x	x	x	x	x
24	MEK 614140006	61 4140 006	MARKER LIGHT KIT												1	1													1						





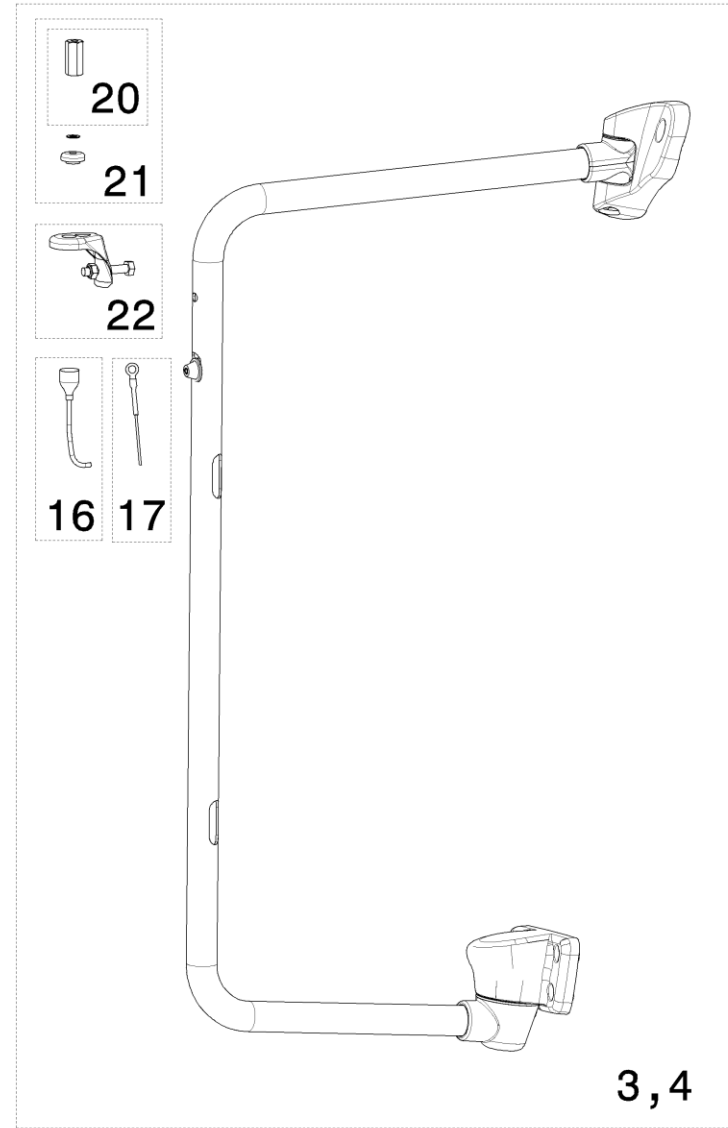
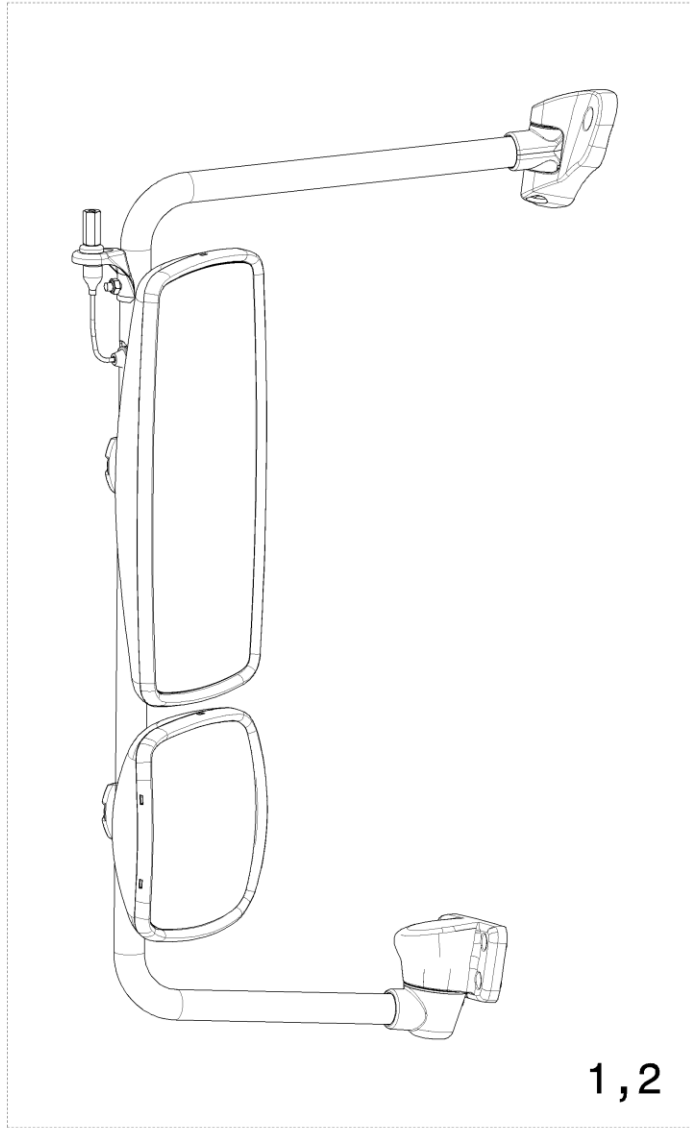
If you have any questions, contact technical support at:

Tel: 1-888-MEKRA 4U / Fax: (803) 337 5265

E mail: [quality@lang-mekra.com](mailto:quality@lang-mekra.com)

[www.lang-mekra.com](http://www.lang-mekra.com)

These Products May Be The Subject of Pending U.S. Patent Application 23  
or May Be Covered By One or More U.S. Patents.





If you have any questions, contact technical support at:

Tel: 1-888-MEKRA 4U / Fax: (803) 337 5265

E mail: [quality@lang-mekra.com](mailto:quality@lang-mekra.com)

[www.lang-mekra.com](http://www.lang-mekra.com)

These Products May Be The Subject of Pending U.S. Patent Application 24  
or May Be Covered By One or More U.S. Patents.

