



# MEKRA Camera Platform

MCP 1307

# Product Information

## MCP 1307

Product Group: 1307

### Mechanical

Dimensions (W x H x D mm) 36,4 x 36,4 x 50 mm

Weight 48 g



### Techn. Specifications

Videosignal	Analog
Transmission protocol	PAL / NTSC
Opening Angles	50° 70° 100° / 100° with fisheye correction 120° / 120° with fisheye correction
Connector interface	HSD
Sensor resolution	1,0 Mpix
Output resolution	0,3 Mpix
Protection class	IP69K
Operating temperature	-40°C - +85°C
Vibration resistance	50 g

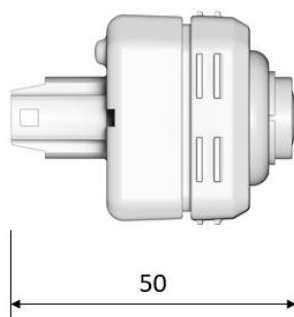
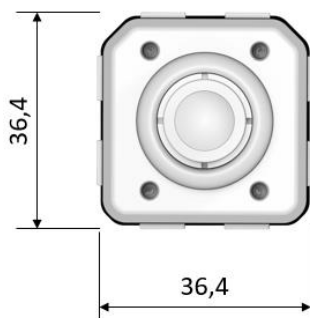
### Electrical

Operating voltage	9 – 36 V
Max. power consumption	3,14 W (incl. heating)
Max. current draw	112 mA (incl. heating)

### Key Facts

- High Definition Range Sensor
- Mirrored versions available
- Integrated heating
- Robust design

### Dimensions



HSD Stecker wasserdicht/plug waterproof:  
D4S14A-1D5A5-Z (4H1.035.749.F)



Leitungsfarbe/ colour of wire	Nr./ no.	Funktion/ function
schwarz/black	1	Video Schirm (GND)
grün/green	2	Masse/Ground (-) GND
rot/red	3	Video Signal
blau/blue	4	Versorgung (+) 9-36VDC